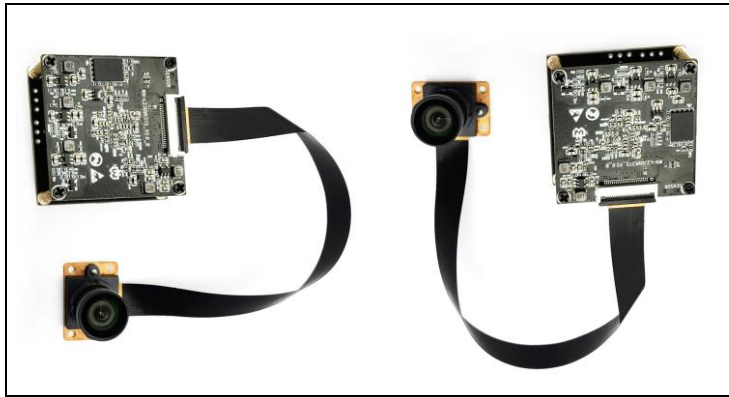


## 12MP 4K USB3.0 Camera Module Specifications



### I. Main Parameters

Product Name	12MP 4K USB3.0 Camera Module
Product Code	WN-L2309K357-V2.0-577-FT
Module Size	38*38mm
Image Sensor	1/2.3-inch IMX577 CMOS Sensor
Max. Resolution	4000H*3000V
Pixel Size	1.55*1.55μm
Output Format	MJPEG, YUV2 ,NVI2,H264 ,H265
Field of View	DFOV 100°
Lens	EFL: 3.24mm, F/No: 2.7, 4G2P+IR 650nm
Minimum Illumination	0.1 Lux
Focus Mode	Fixed Focus/ Manual Focus
Shutter Mode	Electronic Rolling Shutter
Output & Power Supply	High Speed USB3.0
Interface	USB3.0 and High Definition Interface
Controllable Parameters	Brightness, Contrast, Saturation, Hue, Sharpness, Gamma, White Balance, Backlight Contrast, Exposure
Supported OS	UVC-compliant, Plug and Play for Windows, Android, Linux, Mac OS, etc.
Connection Cable	Default 1.5 Meter USB Cable

### 2. Resolutions and Frame Rates

Formats	Resolutions	Frame Rates
MJPEG	4000*3000 (12MP)	25FPS
	3840*2160(4K)	30FPS
	2560*1440(2K)	30FPS
	3264*2448(8MP)	30FPS
	2592*1944(5MP)	30FPS
	2048*1536(3MP)	30FPS
	1600*1200(2MP)	30FPS
	1920*1080 (1080P)	30FPS
	1280*720 (720P)	30FPS
	640*480 (VGA)	30FPS
	320*240(QVGA)	30FPS
YUY2	4000*3000 (12MP)	8FPS
	3840*2160(4K)	15FPS

	2560*1440(2K)	30FPS
	3264*2448(8MP)	15FPS
	2592*1944(5MP)	25FPS
	2048*1536(3MP)	30FPS
	1600*1200(2MP)	30FPS
	1920*1080 (1080P)	30FPS
	1280*720 (720P)	30FPS
	640*480 (VGA)	30FPS
	320*240(QVGA)	30FPS
	NVI2	4000*3000 (12MP)
3840*2160(4K)		15FPS
2560*1440(2K)		30FPS
3264*2448(8MP)		15FPS
2592*1944(5MP)		25FPS
2048*1536(3MP)		30FPS
1600*1200(2MP)		30FPS
1920*1080 (1080P)		30FPS
1280*720 (720P)		30FPS
640*480 (VGA)		30FPS
H.264	3840*2160(4K)	30FPS
	2560*1440(2K)	30FPS
	3264*2448(8MP)	30FPS
	2592*1944(5MP)	30FPS
	2048*1536(3MP)	30FPS
	1600*1200(2MP)	30FPS
	1920*1080 (1080P)	30FPS
	1280*720 (720P)	30FPS
	640*480 (VGA)	30FPS
	320*240(QVGA)	30FPS
H.265	3840*2160(4K)	30FPS
	2560*1440(2K)	30FPS
	3264*2448(8MP)	30FPS
	2592*1944(5MP)	30FPS
	2048*1536(3MP)	30FPS
	1600*1200(2MP)	30FPS
	1920*1080 (1080P)	30FPS
	1280x720 (720P)	30FPS
	640*480 (VGA)	30FPS
	320*240(QVGA)	30FPS

### 3. PIN Definitions

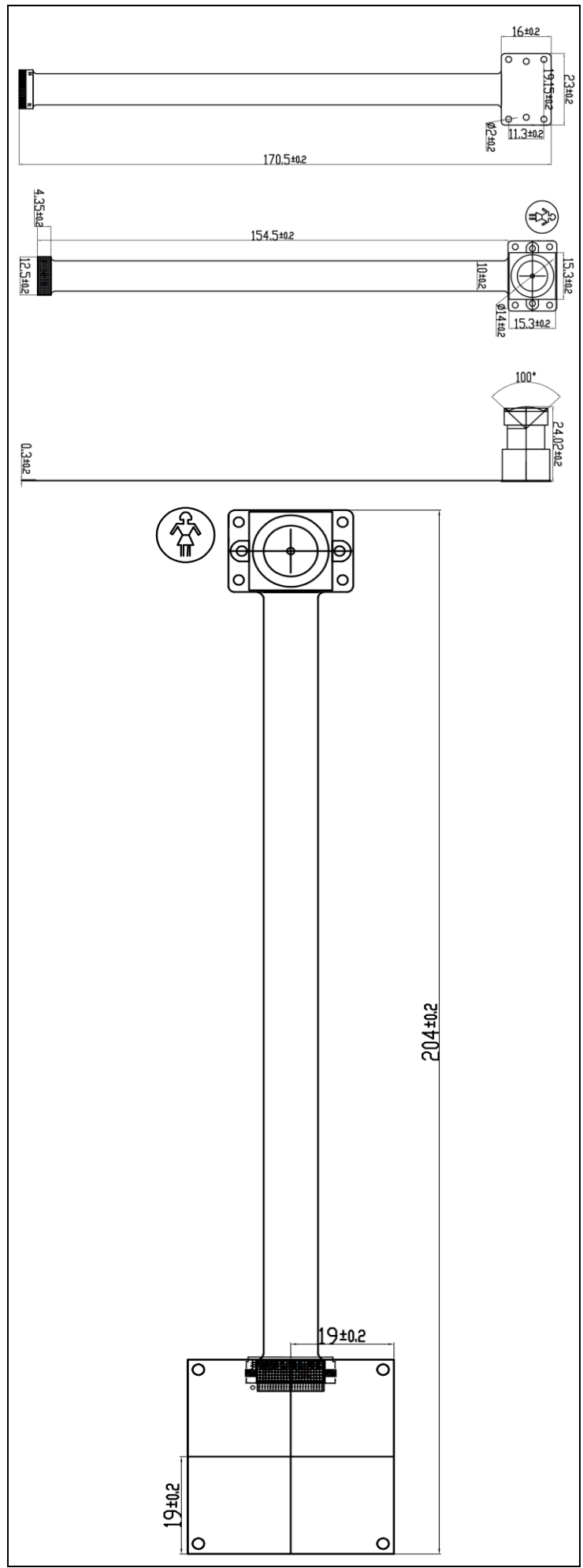
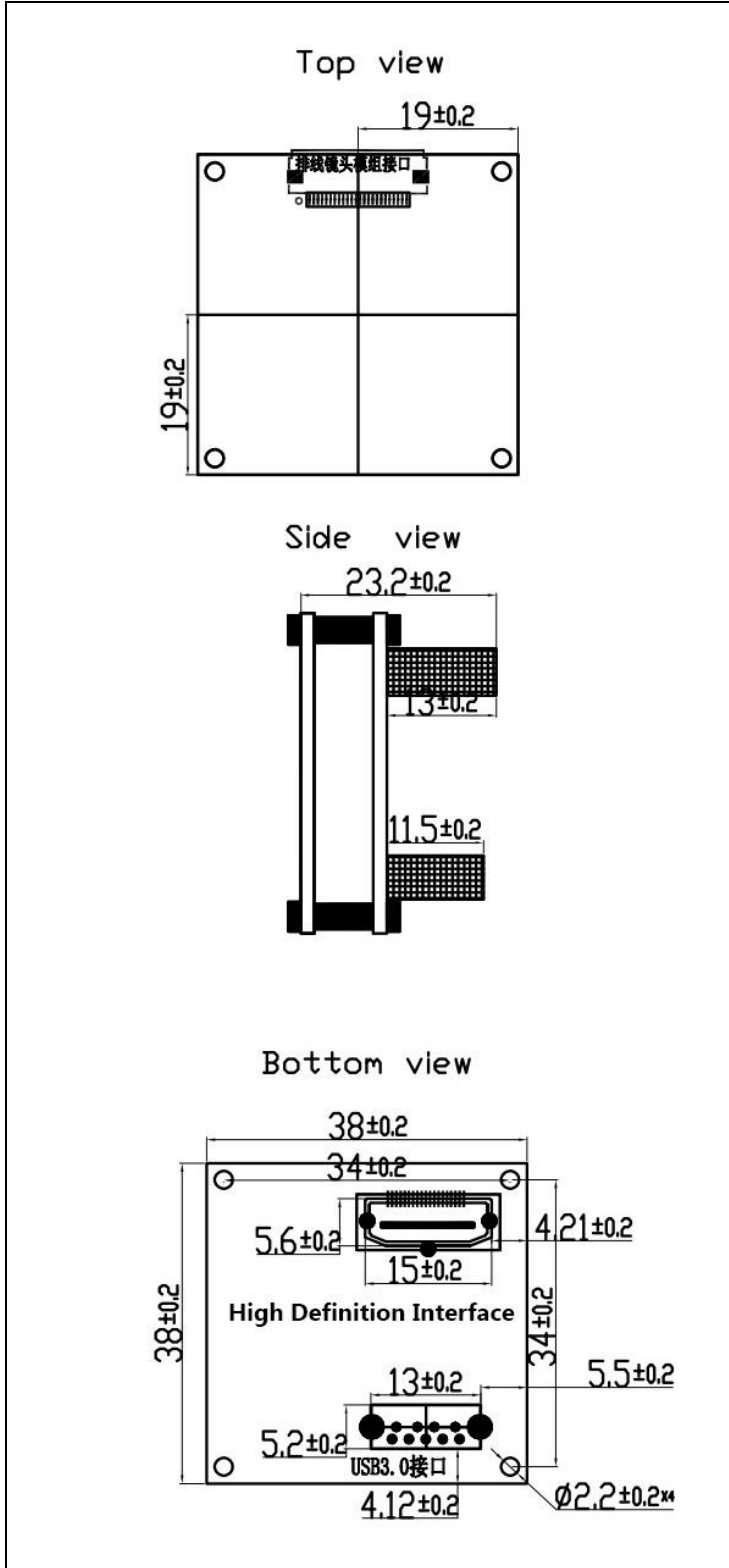
Pin No.	Signal Names	Descriptions
1	VCC	5V Power
2	DP	Data-
3	DM	Data+
4	GND	GND

5	SSPXNI	USB3.0 SSPXNI
6	SSPXPI	USB3.0 SSPXPI
7	GND	GND
8	SSTXNI	USB3.0 SSTXNI
9	SSTXPI	USB3.0 SSTXPI

#### 4. Working Conditions

Working Voltage	USB DC 5V Supply
Working Current	450mA
Working Temperature	-20°C ~ 60°C
Storage Temperature	-20°C ~ 85°C
Humidity	80 ~85%

#### 5. Shape and Dimensions (Unit: mm)



Shenzhen Weinan Electronics Co.,Ltd.  
 Building 2, Baoke Industrial Park, Longhua, Shenzhen, Guangdong, China  
 Tel: +86 0755 27526467  
 E-mail: camera@weinanelectronics.com  
<https://www.weinanelectronics.com>